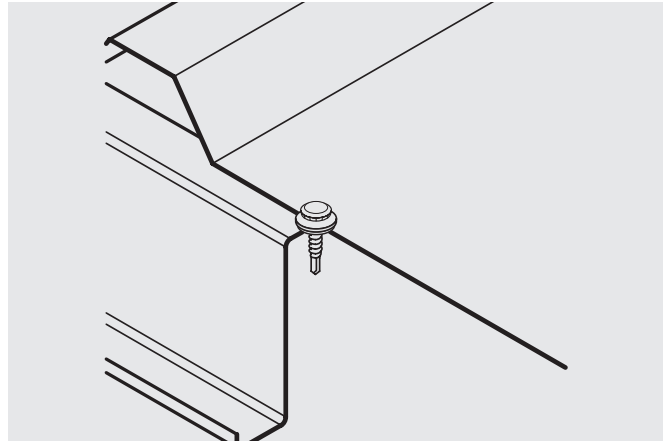


#12 irius[®] SX3 Bi-Met 300[®]

Metal to Metal / Facade Attachment



Features and Benefits

- Corrosion resistant 304 series stainless
- irius[®] low profile head for aesthetic installed appearance
- Precision cold forged carbon steel point assures point strength and fast drilling performance through high strength steel and nested purlins
- Available with no sealing washer or stainless bond seal washer
- Color matched Vista spray available

Application

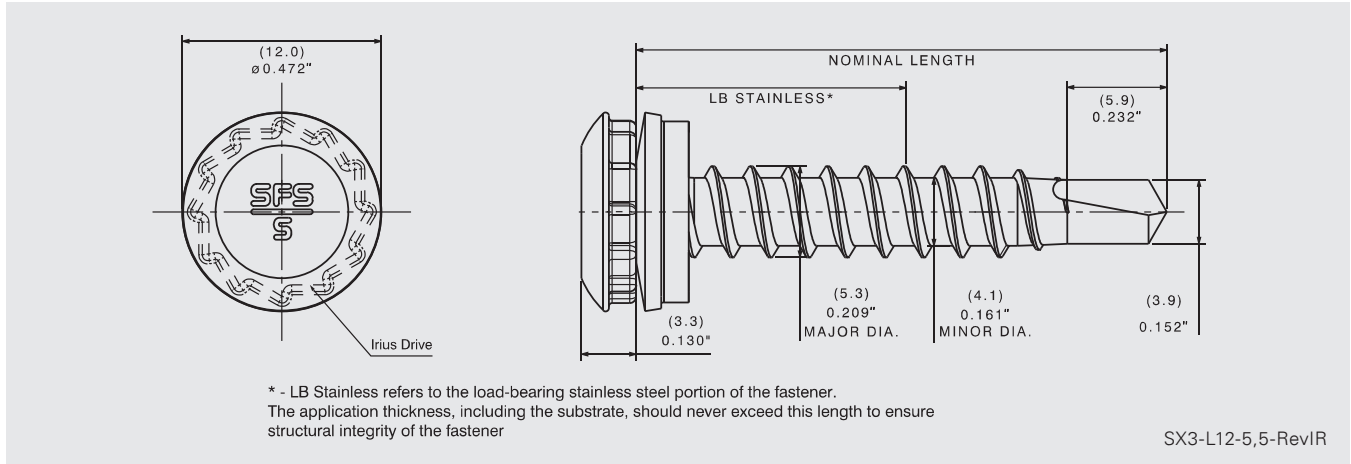
- Light and medium gauge metal connections
- Dissimilar metal connections
- Facade panel to metal

Product Selection

Material No.	Fastener Length		Load Bearing Length		Description	Carton Wt. (lbs.)	Carton Qty.
	(in)	(mm)	(in)	(mm)			
1399025	1-1/4"	32	0.59"	15	SX3/15-L12-S12-5,5x32	3	250

Dimensions in inches are approximate conversions.

#12 irius® SX3 Bi-Met 300® Metal to Metal / Facade Attachment



Product Specifications

Diameter: Nominal #12 (5.3 mm)
 Threads Per Inch: 11
 Head Style: 0.472" irius® head (12.0 mm)
 Washer: 15/32" stainless and EPDM bond seal (12 mm)
 Material: 304SS

Drive: E420 irius®
 Drill Point: SD2
 Drill Capacity: 0.060"–0.118" (1.5 mm–3.0 mm)
 [Up to 0.125" (3.2mm) Aluminum]
 Thread Major Dia: 0.209" (5.3 mm)
 Thread Minor Dia: 0.161" (4.1 mm)

Performance Data^{1,2}

Material Strength

Tensile	2442 lbf / 10863 N
Shear	1620 lbf / 7206 N
Torsional	80 lbf-in / 9.04 N·m

Pull Out Strength Steel

16 Ga (1.5 mm)	696 lbf / 3096 N
14 Ga (1.9 mm)	1032 lbf / 4591 N
12 Ga (2.7 mm)	1715 lbf / 7629 N

Pull Out Strength Aluminum

2.2 mm L or T Rail (0.087")*	672 lbf / 2989 N
2.4 mm Omega or Zed Rail (0.094")*	590 lbf / 2624 N
2.5 mm L or T Rail (0.098")*	800 lbf / 3559 N
1/8" 6063-T5 (3.2 mm)	1183 lbf / 5262 N

¹ SFS 5473.17

² Values are only valid for aluminum rails supplied by SFS

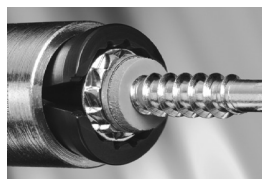
Installation and Application Considerations

Fasteners should provide for a minimum of 3 fully developed threads through the metal substrates.

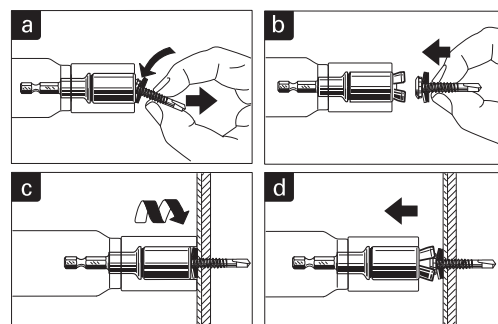
Tools: 0–2000 rpm screw gun equipped with depth sensing nose piece

The E420 irius® drive socket (part # 973316) is required.

Use of impact guns or hammer drills is not recommended.



How to use the E420 socket for irius® fasteners



- Pull out the jaws of the socket
- Insert the irius® (L12) head style fastener
- Setting process
- Pull back tool to open socket chaws