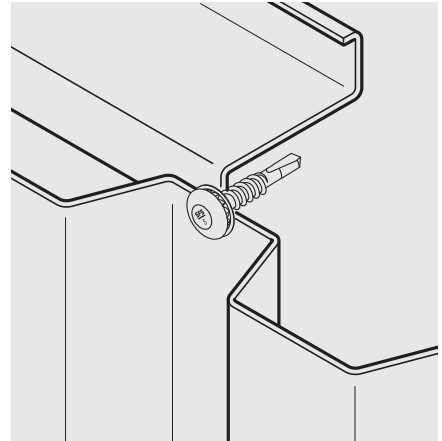
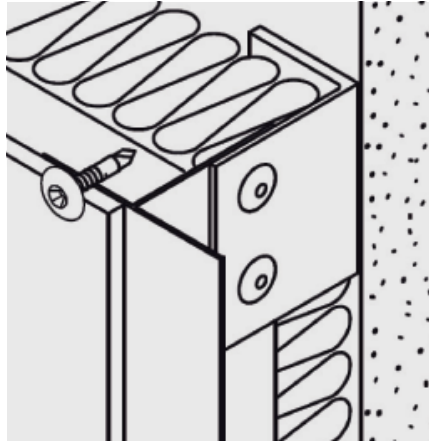


SX3-D12 Bi-Met 300™ Facade Attachment



Features and Benefits

- 304 Stainless steel provides maximum corrosion resistance. 316 Stainless steel is available by request.
- Low profile dome head for aesthetic installed appearance
- Delivers ultimate performance in medium gauge applications
- Precision cold forged carbon steel point assures point strength and fast drilling performance through high strength steel and nested purlins.
- Color matched Vista spray available to blend with facade panel

Application

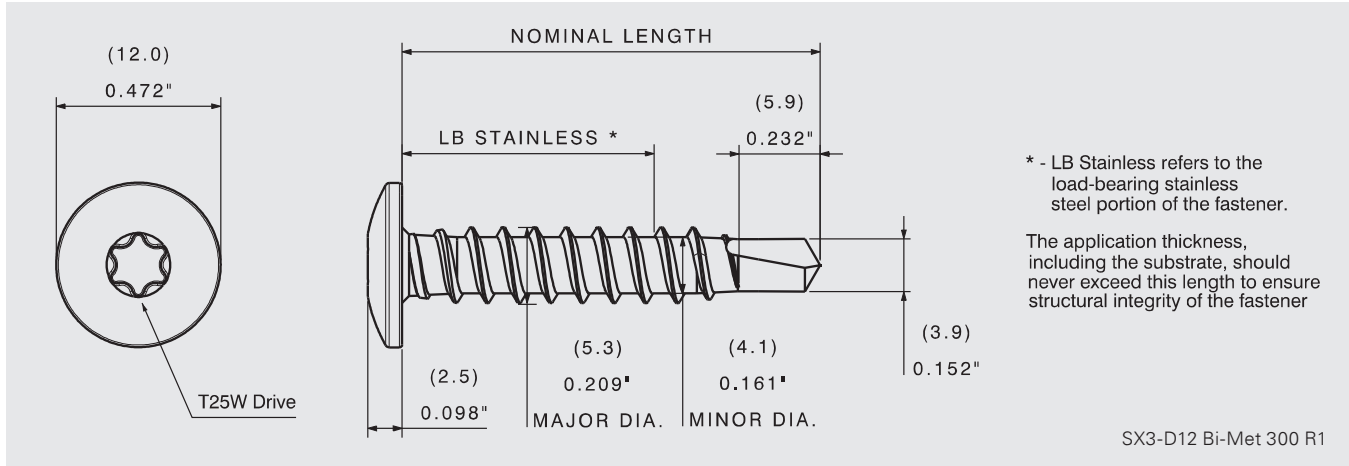
- Facade panel to metal
- Metal to metal

Product Selection

Material No.	Fastener Length		Thread Length*	Load Bearing Length		Description	Carton Wt. (lbs.)	Carton Qty.
	(in)	(mm)		(in)	(mm)			
1354227	1-3/16"	30	Full	0.68"	15	SX3/15-D12-5.5x30	3	250
1751074	1-5/8"	42	Full	1.06"	27	SX3/27-D12-5.5x42	3	250
1401901	2-1/8"	55	Full	1.62"	40	SX3/40-D12-5.5x55	4	250

*Note: Fasteners are available with washer. Inquire with SFS about availability.

SX3-D12 Bi-Met 300™ Facade Attachment



Product Specifications

Diameter: #12 (5.3 mm)
 Threads Per Inch: 11
 Head Style: 0.472" (12.0 mm) Dome Head
 Material: 304SS

Drive: T25W
 Drill Point: SD2
 Drill Capacity: 0.060" (1.5 mm)–0.118" (3.0 mm)
 [Up to .125" (3.2 mm) Aluminum]
 Thread Major Dia: 0.209" (5.3 mm)
 Thread Minor Dia: 0.161" (4.1 mm)

Performance Data¹

Material Strength

Tensile	2442 lbf / 10863 N
Shear	1620 lbf / 7206 N
Torsional	80 lbf-in / 9.04 N·m

Pull Out Strength Aluminum

2.2 mm L or T Rail (0.087")*	672 lbf / 2989 N
2.4 mm Omega or Zed Rail (0.094")*	590 lbf / 2624 N
2.5 mm L or T Rail (0.098")*	800 lbf / 3559 N
1/8" 6063-T5 (3.2 mm)	1183 lbf / 5262 N

Pull Out Strength Steel

12 Ga (2.7 mm)	1715 lbf / 7629 N
14 Ga (1.9 mm)	1032 lbf / 4591 N
16 Ga (1.5 mm)	696 lbf / 3096 N

¹ SFS 5473.17

* - Values are only valid for aluminum rails supplied by SFS

Installation and Application Considerations

Install fasteners with 0–2000 RPM screw gun equipped with depth sensing nose piece.

Use of T25W drive bit is required.