

Oval Barbed Stress Plate

DEKFAST™ PLT-O2-3/4-12B



Application

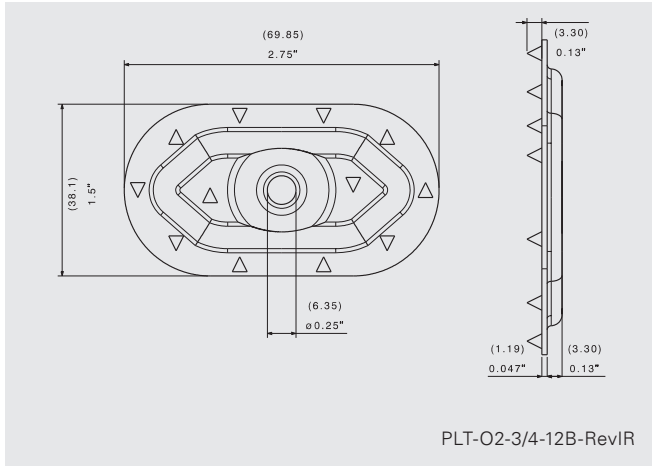
PVC membrane attachment to steel and wood roof decks

Features and Benefits

- Engineered barb design provides maximum wind uplift rating
- 18 ga. Galvalume® steel

Product Selection

Material No.	Item	Description	Carton Wt. (lbs.)	Carton Qty.
1274909	1-1/2 x 2-3/4 Oval Barbed Membrane Plate	PLT-O2-3/4-12B-B	12	500



Specifications

OD: 2.750" (70 mm)
 Width: 1.500" (38 mm)
 Thickness: 0.047" (1.19 mm)
 Finish: AZ50 Galvalume®

Approvals



State of Florida: FL20311

22-0913.02

Installation and Application Considerations

Use in applications approved by the roofing system manufacturer. Use with:

- #14 Dekfast
- #15 Dekfast
- #12 Purlin