

# 2" Round Stress Plate

## DEKFAST™ PLT-R-2



### Application

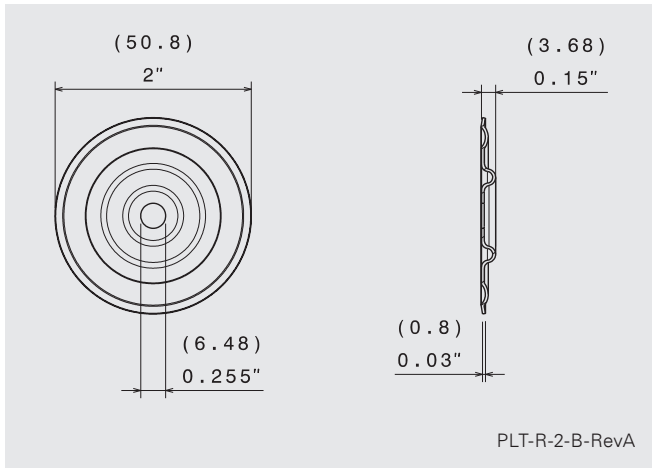
Membrane and cover board attachment to steel and wood roof decks

### Features and Benefits

- Flat bottom provides for use on rigid board surfaces
- 22 ga. Galvalume® steel

### Product Selection

Material No.	Item	Description	Carton Wt. (lbs.)	Carton Qty.
727658	2" Round Membrane Plate	PLT-R-2-B	34	1,000



### Specifications

OD: 2" (51 mm) Round  
 Thickness: 0.032" (0.81 mm)  
 Finish: AZ55 Galvalume®

### Installation and Application Considerations

Use in applications approved by the roofing system manufacturer. Use with:

- #12 Dekfast
- #14 Dekfast