



# Dekspike™ Structural Concrete Roof Anchor

## DEKFAST™ SPK-#14



### Application

Insulation and membrane attachment to structural concrete roof decks

### Features and Benefits

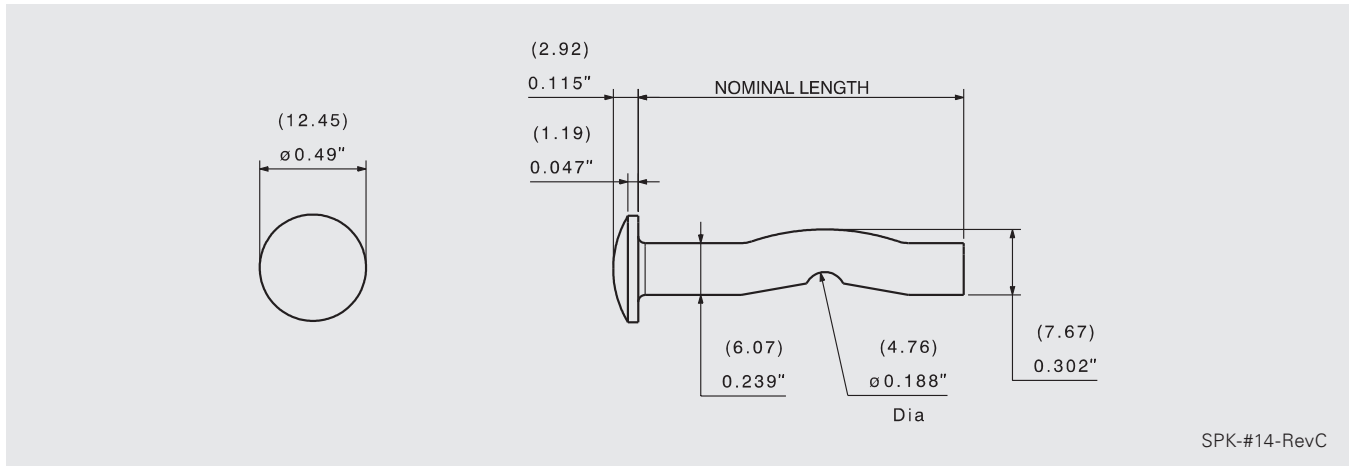
- 1/2" mushroom head
- Compresses at 3 contact points to match the tolerance of the drilled hole
- Can stand dynamic loads induced by wind loading
- Cathodic epoxy e-coat

### Product Selection

Material No.	Fastener Length	Description	Carton Wt. (lbs.)	Carton Qty.
792840	1-1/4"	SPK-#14x1-1/4-E0999-B	11	500
792841	1-1/2"	SPK-#14x1-1/2-E0999-B	11	500
792842	2"	SPK-#14x2-E0999-B	16	500
792843	2-1/2"	SPK-#14x2-1/2-E0999-B	21	500
792844	3"	SPK-#14x3-E0999-B	22	500
792845	3-1/2"	SPK-#14x3-1/2-E0999-B	25	500
792846	4"	SPK-#14x4-E0999-B	31	500
792847	4-1/2"	SPK-#14x4-1/2-E0999-B	31	500
792850	5"	SPK-#14x5-E0999-B	35	500
792853	5-1/2"	SPK-#14x5-1/2-E0999-B	36	500
792856	6"	SPK-#14x6-E0999-B	20	250
792860	7"	SPK-#14x7-E0999-B	23	250
792864	8"	SPK-#14x8-E0999-B	28	250
792868	9"	SPK-#14x9-E0999-B	30	250
792870	10"	SPK-#14x10-E0999-B	33	250
792872	11"	SPK-#14x11-E0999-B	14	100
792874	12"	SPK-#14x12-E0999-B	15	100
792878	14"	SPK-#14x14-E0999-B	17	100

# Dekspike™ Structural Concrete Roof Anchor

## DEKFAST™ SPK-#14



SPK-#14-RevC

### Coating and Corrosion

15/15 Kesternich per FM 4470  
 800 hour salt spray per ASTM B117  
 Cathodic epoxy e-coat

### Performance Data<sup>1</sup>

#### Pull Out Strength

2000 psi Structural Concrete		3000 psi Structural Concrete		4000 psi Structural Concrete	
1" (25.4 mm)	620 lbf / 2757N	1" (25.4 mm)	775 lbf / 3447 N	1" (25.4 mm)	835 lbf / 3714 N
1-1/4" (31.2 mm)	830 lbf / 3692 N	1-1/4" (31.2 mm)	1100 lbf / 4893 N	1-1/4" (31.2 mm)	1210 lbf / 5382 N

<sup>1</sup> SFS 5541.18

### Installation and Application Considerations

Tools: ANSI 1/4" diameter (0.268–0.260 dia.) drill bit. Drill hole depth at least 1/2" beyond the anticipated embedment depth. Clean the hole and drive Dekspike flush against the plate or material being fastened.

#### Material:

- Structural concrete: Min penetration: 1" (Min penetration for 1-1/4" length: 7/8")

#### Use with:

- Batten Bar
- Steel insulation plates
- Steel membrane plates