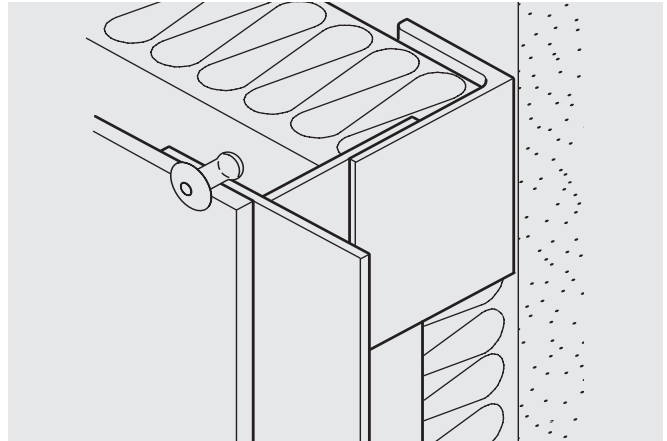
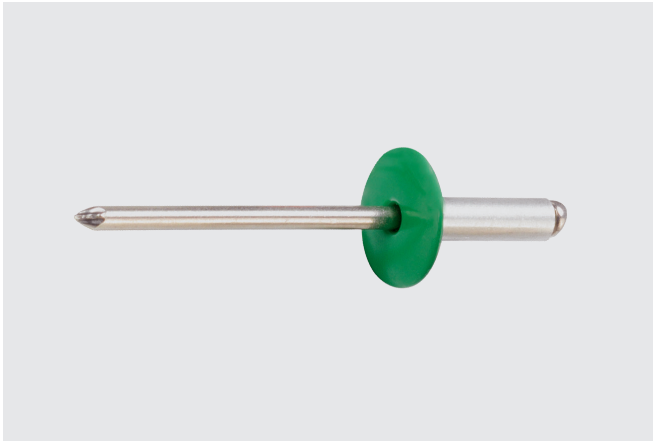


# AP16 Rivet



## Features and Benefits

- For installation of any type of facade panel (HPL, Fiber Cement, ACM, or others) to aluminum furrings
- Fast, reliable, and secure setting with every fastener
- Won't loosen in high vibration and fatigue applications
- Aluminum rivet body with stainless steel mandrel for high corrosion resistance

## Application

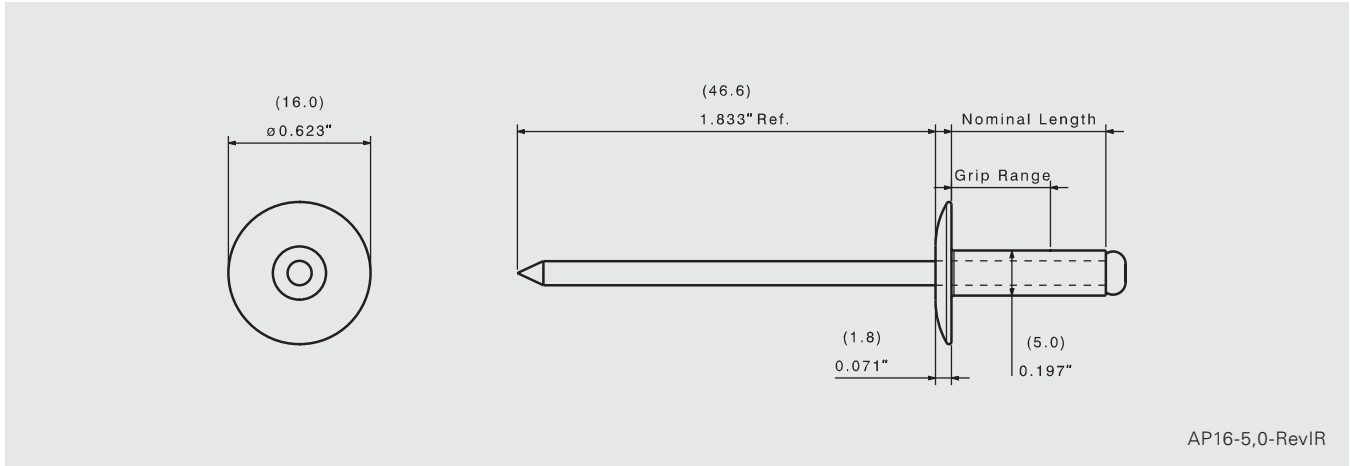
Attach high-performance cladding panels to aluminum sub-frames

## Product Selection

Material No.	Length	Grip Range	Description	Carton Wt. (lbs.)	Carton Qty.
914963	5 x 16 mm	6.0–12.0 mm (0.236"–0.472")	AP16-50160-S	2.4	250
870920	5 x 18 mm	7.0–13.5 mm (0.276"–0.531")	AP16-50180-S	3.1	250
994642	5 x 21 mm	10.0–16.5 mm (0.394"–0.649")	AP16-50210-S	3.4	250

Plain product boxed 250 pieces, unless otherwise noted.

# AP16 Rivet



AP16-5,0-RevIR

### Product Specifications

Body Diameter: 0.20" (5 mm)  
 Head Diameter: 0.63" (16 mm)  
 Head Style: Dome Head

Body Material: Aluminum (AlMg5)  
 Mandrel Material: 304 stainless (A2)

### Performance Data<sup>1</sup>

#### Material Strength

Tensile	836 lbf / 3720 N
Shear	543 lbf / 2414 N

#### Pull Out Strength Extruded Aluminum

<b>2.2 mm L or T rail (0.087")*</b> :	670 lbf / 2980 N
<b>2.4 mm Omega or Zed rail (0.094")*</b> :	597 lbf / 2656 N
<b>2.5 mm L or T rail (0.098")*</b> :	910 lbf / 4048 N
<b>0.090" 6061-T6 Al:</b>	804 lbf / 3576 N
<b>0.125" Al:</b>	Exceeds tensile

\*Values only valid for rails supplied by SFS.

<sup>1</sup> SFS (5651.19)

### Installation and Application Considerations

5.1 mm (0.201") pilot hole (#7) required in aluminum framework for fixed point. All other holes depend on material. Check the attachment method instructions provided by the cladding panel manufacturer.

Tools: Gesipa Accubird® Pro Rivet gun (#1457652), Nosepiece for AP16 (#974620), Drill Gauge for centered drill holes including drill bit  $\varnothing$  5.1 mm.

### Replaceable top pieces with different diameters available.

Order code:	DG-146x20-7,0-5.1	1320657
	DG-146x20-8,0-5.1	1320658
	DG-146x20-9,0-5.1	1320659
	DG-146x20-10,0-5.1	1321704



US  
 T 800 234 4533  
 www.sfsintecusa.com

Canada  
 T 866 847 5400  
 www.sfsintec.ca

Metric values are approximate conversions.

The details stated are results of tests and/or calculations and therefore are non-binding and do not represent warranties or warranted characteristics for not specified applications. All calculations therefore have to be checked and approved by the responsible planner ahead of execution. The user is responsible to assure compliance with all applicable laws and regulations.