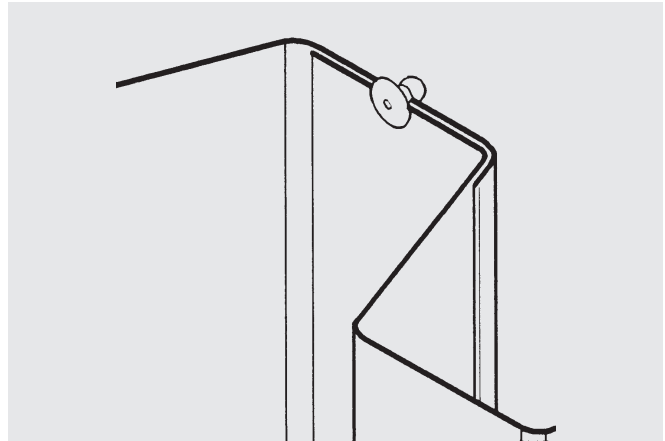




# BULB-TITE® Rivet (3/16") Structural Attachment



## Features and Benefits

- Weather resistant design
- Tamper resistant
- Won't loosen in high vibration or fatigue applications
- Quality and repeatability of assembly
- No over-driving or under-driving
- The installed function of the rivet will be consistent and is independent of the installer's technique
- Easy to use, lightweight portable installation tools
- Available in dome head

## Application

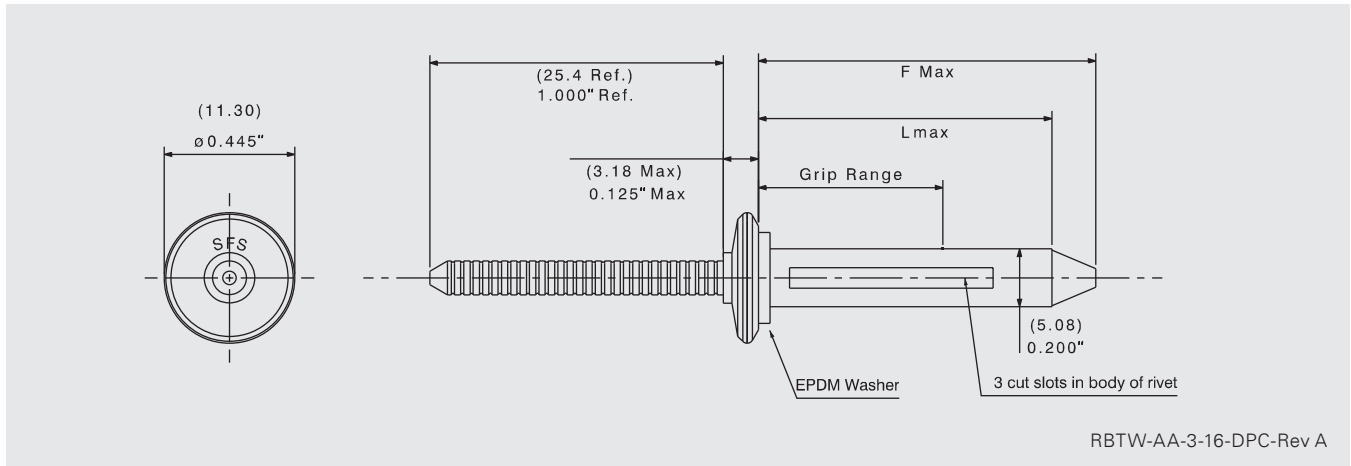
- Facade panel to metal
- Metal roof attachments
- Polycarbonate panel to metal

## Product Selection - Dome Head

| Material No. | BULB-TITE® Code | Grip Range    | Description                    | Carton Wt. (lbs.) | Carton Qty. |
|--------------|-----------------|---------------|--------------------------------|-------------------|-------------|
| 1194609      | RV6604-6-4W     | 0.062"-0.250" | RBTW-AA-3/16-DPC-G.062to.250-B | 21                | 3,000       |
| 1194621      | RV6604-6-6W     | 0.187"-0.375" | RBTW-AA-3/16-DPC-G.187to.375-B | 21                | 3,000       |
| 1194623      | RV6604-6-8W     | 0.312"-0.500" | RBTW-AA-3/16-DPC-G.312to.500-B | 21                | 3,000       |
| 1194625      | RV6604-6-10W    | 0.437"-0.625" | RBTW-AA-3/16-DPC-G.437to.625-B | 14                | 2,000       |
| 1194627      | RV6604-6-12W    | 0.563"-0.750" | RBTW-AA-3/16-DPC-G.563to.750-B | 14                | 2,000       |



# BULB-TITE® Rivet (3/16") Structural Attachment



## Product Specifications

Diameter: 3/16" (4.75 mm)  
Head Style: Dome Head .457" (11.6 mm)  
Fastener Material: Aluminum/Aluminum

## Performance Data<sup>1</sup>

### Material Strength

|         |                  |
|---------|------------------|
| Tensile | 450 lbf / 2008 N |
| Shear   | 675 lbf / 3003 N |

<sup>1</sup> PLK 21917

## Installation and Application Considerations

Use of a #4 drill bit is required for a pre-drill hole size of 0.209"–0.221".

PowerBird Pro (P/N 1457637) and AccuBird Pro (P/N 1457652) cordless tools for optimum power and speed recommended for consistent setting of rivets.

Special 3/16" BULB-TITE® nosepiece (P/N 1434986) is required for proper rivet installation.



US  
T 800 234 4533  
www.sfsintecusa.com

Canada  
T 866 847 5400  
www.sfsintec.ca

Metric values are approximate conversions.

The details stated are results of tests and/or calculations and therefore are non-binding and do not represent warranties or warranted characteristics for not specified applications. All calculations therefore have to be checked and approved by the responsible planner ahead of execution. The user is responsible to assure compliance with all applicable laws and regulations.