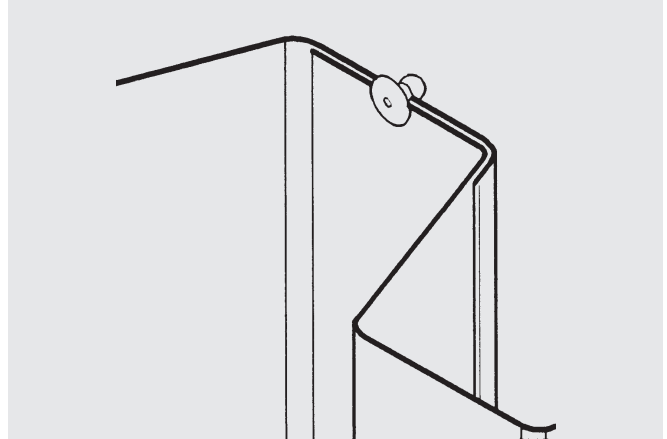


# BULB-TITE® Rivet (3/16") Structural Attachment



### Features and Benefits

- Weather resistant design
- Tamper resistant
- Won't loosen in high vibration or fatigue applications
- Quality and repeatability of assembly
- No over-driving or under-driving
- The installed function of the rivet will be consistent and is independent of the installer's technique
- Easy to use, lightweight portable installation tools
- Available in dome head

### Application

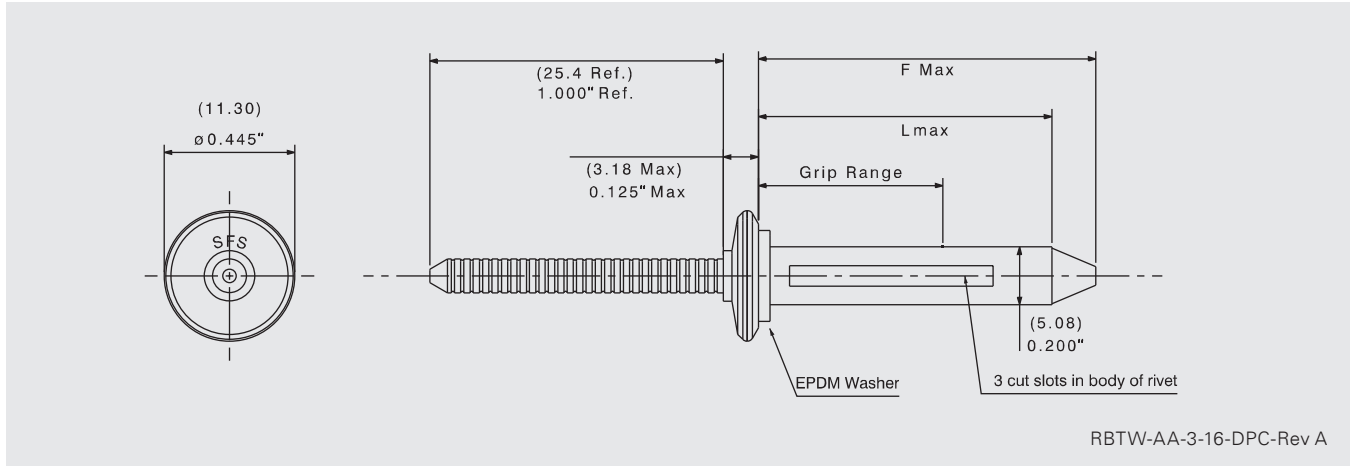
- Facade panel to metal
- Metal roof attachments
- Polycarbonate panel to metal

### Product Selection - Dome Head

Material No.	BULB-TITE® Code	Grip Range	Description	Carton Wt. (lbs.)	Carton Qty.
1194609	RV6604-6-4W	0.062"-0.250"	RBTW-AA-3/16-DPC-G.062to.250-B	21	3,000
1194621	RV6604-6-6W	0.187"-0.375"	RBTW-AA-3/16-DPC-G.187to.375-B	21	3,000
1194623	RV6604-6-8W	0.312"-0.500"	RBTW-AA-3/16-DPC-G.312to.500-B	21	3,000
1194625	RV6604-6-10W	0.437"-0.625"	RBTW-AA-3/16-DPC-G.437to.625-B	14	2,000



# BULB-TITE® Rivet (3/16") Structural Attachment



## Product Specifications

Diameter: 3/16" (4.75 mm)  
Head Style: Dome Head .457" (11.6 mm)  
Fastener Material: Aluminum/Aluminum

## Performance Data<sup>1</sup>

### Material Strength

Tensile	450 lbf / 2008 N
Shear	675 lbf / 3003 N

<sup>1</sup> PLK 21917

## Installation and Application Considerations

Use of a #4 drill bit is required for a pre-drill hole size of 0.209"–0.221".

AccuBird Pro (P/N 1689542) cordless tool for optimum power and speed recommended for consistent setting of rivets.

Special 3/16" BULB-TITE® nosepiece (P/N 1434986) is required for proper rivet installation.



US  
T 800 234 4533  
us.sfs.com

Canada  
T 866 847 5400  
ca.sfs.com

Metric values are approximate conversions.  
Metric values are approximate conversions.

All information is non-binding and without guarantee. Before using the products, all specifications and calculations must be checked by a suitably qualified person and local regulations must be observed. This document is subject to revision. We reserve the right to make technical changes. (03/2024, V1.01)