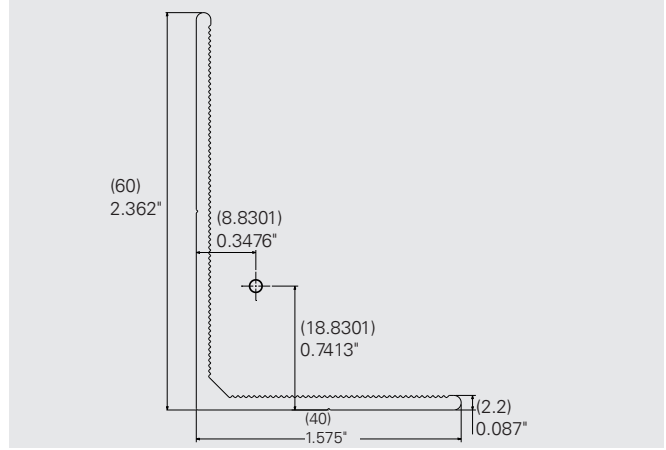


# NVELOPE™

## 2.2 mm L-rail



### Product Selection

Material No.	Description	NAC Code	Material
1521357	L profile 60 × 40 × 2.2 × 3000 (118.11")	NV-L60-40-2.2-3000	6005A-T6 Aluminum
1521375	L profile 60 × 40 × 2.2 × 6000 (236.22")	NV-L60-40-2.2-6000	6005A-T6 Aluminum

\*Note: Other sizes are available, please contact SFS for additional information.

### Performance Data

#### Rail Material Properties

Young's Modulus	10,100 ksi (70 GPa)
Tensile Strength	38 ksi (260 MPa)
Shear Strength	24 ksi (165 MPa)
Tensile Yield	35 ksi (240 MPa)
Thermal Conductivity	1,310 Btu-in/ft <sup>2</sup> -hr-°F (183 W/m-k)

#### Rail Section Properties

I <sub>x</sub>	0.183 in <sup>4</sup> (76,269 mm <sup>4</sup> )
I <sub>y</sub>	0.067 in <sup>4</sup> (27,910 mm <sup>4</sup> )
R <sub>x</sub>	0.766 in (19.46 mm)
R <sub>y</sub>	0.464 in (11.77 mm)
A	0.312 in <sup>2</sup> (201.31 mm <sup>2</sup> )
S <sub>x</sub>	0.112 in <sup>3</sup> (1,834.7 mm <sup>3</sup> )
S <sub>y</sub>	0.054 in <sup>3</sup> (889.44 mm <sup>3</sup> )