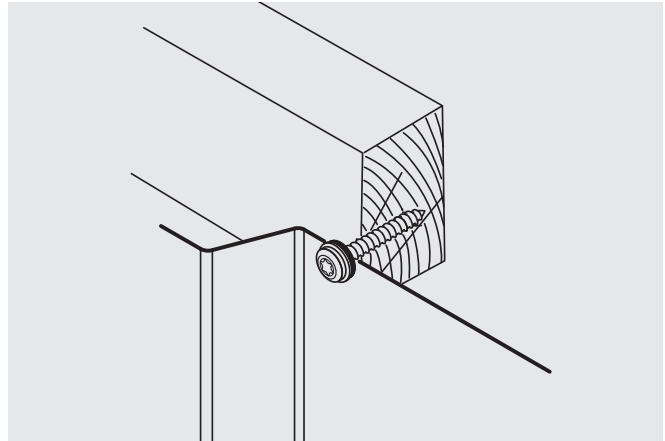


#9-15 Evergrip[®] Pan Head Bi-Met 304SS Metal to Wood Fastener



Features and Benefits

- Provides the corrosion resistance of stainless with the drill performance of a carbon steel fastener
- T25 drive pan head provides driving stability
- Head and shank are 304SS
- Welded carbon steel sharp point for fast installation
- Assembled stainless bond seal washer
- Long life fastener limited warranty

Application

Metal panel to wood where corrosion resistance of 304SS is required due to atmosphere or wood treatments

Product Selection

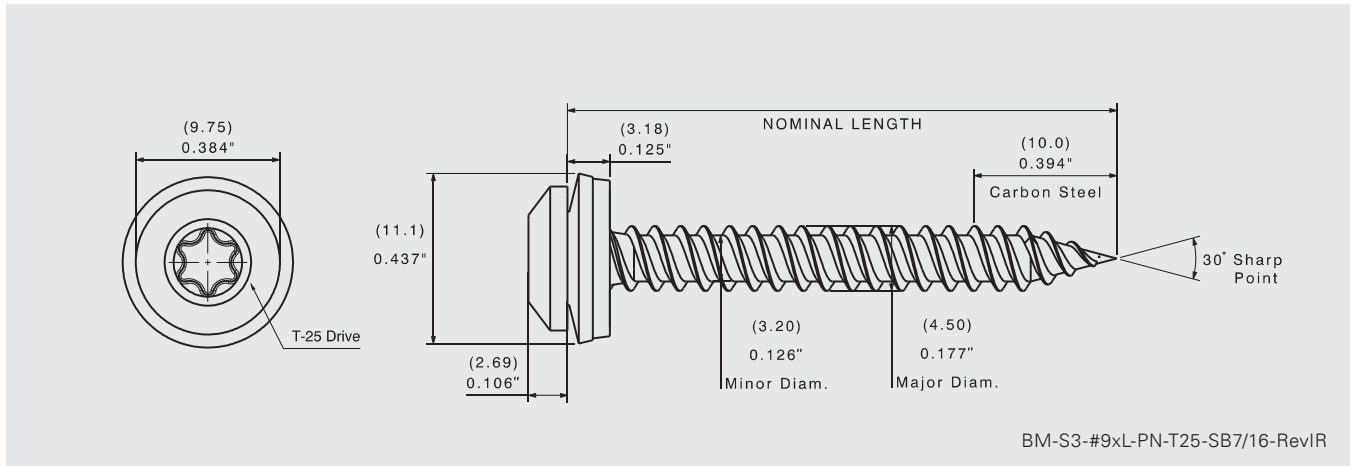
Material No.	Fastener Length		Thread Length*	Description	Carton Wt. (lbs.)	Carton Qty.
	(in)	(mm)				
1119934	1"	25	Full	BM-S3-#9x1-PN-T25-SB7/16	30	3,000
1423973	1-1/2"	38	Full	BM-S3-#9x1-1/2-PN-T25-SB7/16	30	2,500
1119937	2"	51	Full	BM-S3-#9x2-PN-T25-SB7/16	28	2,000
1365291	2-1/2"	64	Full	BM-S3-#9x2-1/2-PN-T25-SB7/16	24	1,500
1119938	3"	76	Full	BM-S3-#9x3-PN-T25-SB7/16	17	1,000

Plain product bagged 250 pieces, unless otherwise noted.

*Note – Thread length measured from tip of the drill point to end of the threads.



#9-15 Evergrip® Pan Head Bi-Met 304SS Metal to Wood Fastener



BM-S3-#9xL-PN-T25-SB7/16-RevIR

Product Specifications

Diameter: #9 (4.50 mm)
 Threads Per Inch: 15
 Head Style: 3/8" dia. Pan (9.75 mm)
 Drive: T25
 Washer: 7/16" stainless and EPDM bond seal (11.1 mm)

Drill Point: Carbon steel sharp point
 Drill Capacity: 24 ga. (0.6 mm)
 Thread Major Dia: 0.177" (4.5 mm)
 Thread Minor Dia: 0.126" (3.2 mm)

Performance Data^{1,2,3,4}

Material Strength		Pull Out Strength Wood: SPF		Pull Over Strength	
Tensile	1500 lbf / 6675 N	1" (25.4mm) penetration	542 lbf / 2411 N	29 Ga (0.3 mm)	358 lbf / 1592 N
Shear	1200 lbf / 5340 N	1-1/2" (38.1mm) penetration	748 lbf / 3327 N	26 Ga (0.5 mm)	601 lbf / 2673 N
Torsional	50 lbf-in / 5.56 N·m			24 Ga (0.6 mm)	957 lbf / 4256 N

¹ Pull out strength values may vary from tested loads depending upon specific wood density variations.

² Pull over strength values are based on metal panel ksi values: 29 ga. (100 ksi), 26 ga. (70 ksi), 24 ga. (70 ksi).

³ SFS [4381.07, 5619.19]

⁴ PLK 12303

Installation and Application Considerations

Tools: 0–2500 rpm screw gun equipped with depth sensing nose piece.

Use of impact guns or hammer drills is not recommended.

T25 drive bit is required. SFS special T25 drive bit #1697720 is recommended for superior stability during installation process.

Special care needs to be taken when installing #9 Evergrip T25 fasteners into wood substrate less than 1" in thickness. Stripping or partially stripping the fastener out during installation compromises the clamp load and can affect the performance of the fastener.