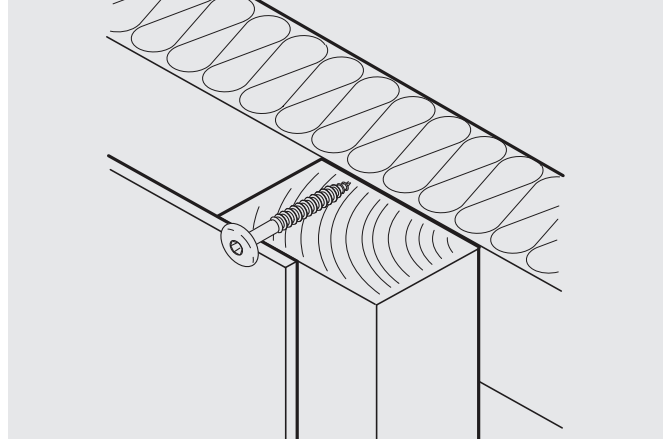


TW-S-D12 Facade Attachment



Features and Benefits

- 304 Stainless steel provides maximum corrosion resistance. 316 Stainless steel is available by request.
- Low profile drive head for aesthetically pleasing appearance.
- Color matched Vista spray available to blend with facade panel.

Application

Facade/cladding panel to wood

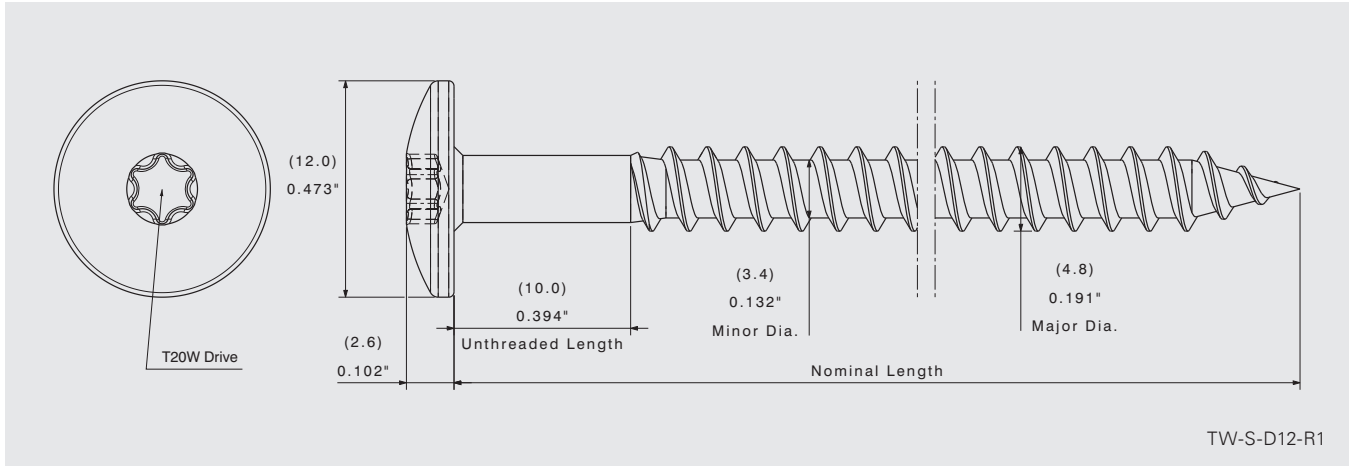
Product Selection

Material No.	Fastener Length		Thread Length*		Description	Carton Wt. (lbs.)	Carton Qty.
	(in)	(mm)	(in)	(mm)			
902988	1"	25	0.59"	15	TW-S-D12-4.8x25	2.2	250
986742	1-3/16"	30	0.78"	20	TW-S-D12-4.8x30	2.4	250
625848	1-1/2"	38	1.09"	28	TW-S-D12-4.8x38	2.7	250
698813	1-3/4"	44	1.34"	34	TW-S-D12-4.8x44	2.9	250
55443	2-3/8"	60	1.97"	50	TW-S-D12-4.8x60	3.7	250
1774018	3"	76	1.97"	50	TW-S-D12-4.8x76	18	1,000

*Note - Thread length measured from tip of the drill point to end of threads.

TW-S-D12

Facade Attachment



Product Specifications

Diameter:	#10 (4.8 mm)	Drive:	T20W
Threads Per Inch:	12	Drill Point:	Type A
Head Style:	0.473" (12.0 mm) Dome Head	Thread Major Dia:	0.191" (4.8 mm)
Material:	304SS	Thread Minor Dia:	0.132" (3.4 mm)

Performance Data^{1,2,3}

Material Strength

Tensile	1592 lbf / 7082 N
Shear	1214 lbf / 5400 N
Torsional	60 lbf-in / 6.6 N·m

Pull Out Strength Plywood

3/4" (19.1 mm)	578 lbf / 2571 N
5/8" (15.9 mm)	438 lbf / 1948 N
1/2" (12.7 mm)	348 lbf / 1548 N

Pull Out Strength OSB (Oriented Strand Board)

23/32" (18.3 mm)	449 lbf / 1997 N
19/32" (15.1 mm)	412 lbf / 1833 N
7/16" (11.1 mm)	228 lbf / 1014 N

Pull Out Strength

SYP Dimensional Lumber

1x4	481 lbf / 2140 N
------------	------------------

¹ SFS 4407.07

² CHTV 2016

³ SFS 4450.08

Installation and Application Considerations

Install fasteners with 0–2500 RPM screw gun equipped with depth sensing nose piece.

Use of T20W drive bit is required.

Fastener length should provide for a minimum of 1" (25.4 mm) penetration into wood substrate. Check with cladding panel manufacturer for specific installation guidelines.

Use of impact guns or hammer drills is not recommended.