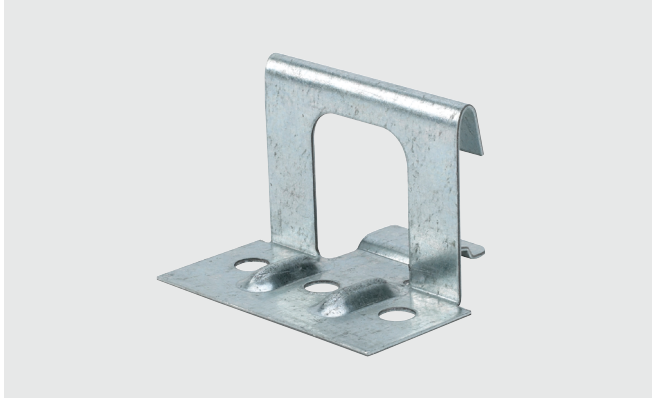


1-1/2" Snap Lock Engineered Panel Clip



Application

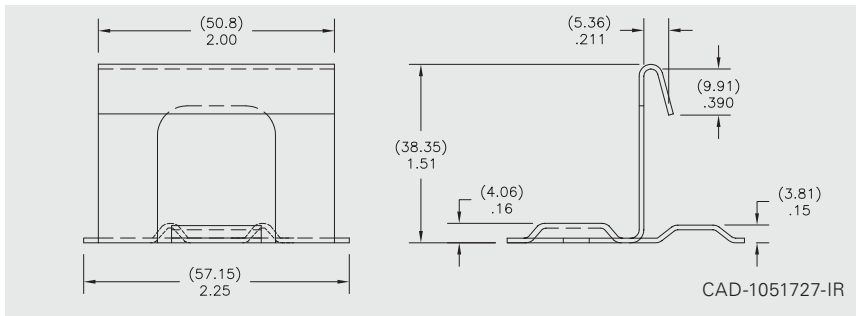
Standing seam panel clips used for attachment of snap lock type panels wherein mechanical seaming is not required

Features and Benefits

- Manufactured from high quality, corrosion resistant steel meeting strict mechanical property requirements
- Tightly controlled manufacturing tolerances for a secure and functional fit every time
- Allows unlimited thermal movement. Always follow the standing seam panel manufacturer's details and instructions on proper use, location and performance values as well as properly fixing their respective roof panels to the structure to prevent uncontrolled sliding

Product Selection

Material No.	Item	Description	Carton Wt. (lbs.)	Carton Qty.
1051754	1-1/2" Snap lock clip	18 ga. (1.2 mm) G-90 Galvanized	59	500
1051727	1-1/2" Snap lock clip	20 ga. (0.9 mm) G-90 Galvanized	40	500
1051768	1-1/2" Snap lock clip	18 ga. (1.2 mm) 304SS	59	500
1051730	1-1/2" Snap lock clip	20 ga. (0.9 mm) 304SS	42	500



Specifications

Height: 1.51" (38.35 mm)
 Width: 2.00" (50.80 mm)
 Holes: 3-hole

Installation and Application Considerations

- Compatible with:
 - Roll Former Corp. VS150
 - Knudson KR24
 - Ultra Seam US-150LS
 - Zimmerman SS1500
 - Knudson VP24/Varipan
- Refer to SFS standing seam fastener offering for panel clip attachment options
- Always consult with panel manufacturer or design engineer to ensure proper clip recommendations