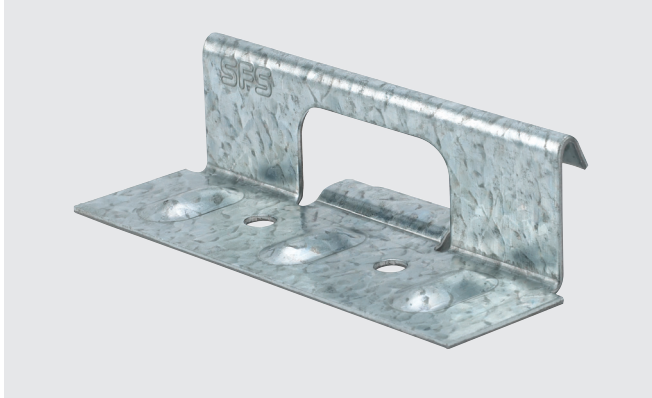


# 1" Snap Lock Engineered Panel Clip



## Application

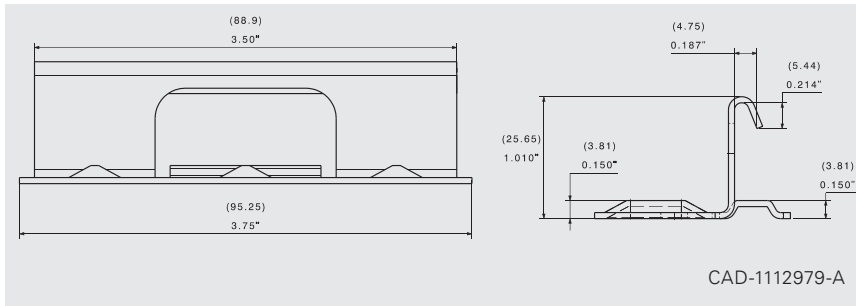
Standing seam panel clips used for attachment of snap lock type panels wherein mechanical seaming is not required

## Features and Benefits

- Manufactured from high quality, corrosion resistant steel meeting strict mechanical property requirements
- Tightly controlled manufacturing tolerances for a secure and functional fit every time
- Allows unlimited thermal movement. Always follow the standing seam panel manufacturer's details and instructions on proper use, location and performance values as well as properly fixing their respective roof panels to the structure to prevent uncontrolled sliding

## Product Selection

Material No.	Item	Description	Carton Wt. (lbs.)	Carton Qty.
1112979	1" Snap lock clip	18 ga. (1.2 mm) G-90 Galvanized	26	200
1199659	1" Snap lock clip	22 ga. (0.8 mm) G-90 Galvanized	18	200



## Specifications

Height: 1.01" (25.65 mm)  
 Width: 3.50" (88.90 mm)  
 Holes: 2-hole

## Installation and Application Considerations

- Compatible with:
  - Quadro 1" Snap
  - Zimmerman SLC1000
- Refer to SFS standing seam fastener offering for panel clip attachment options
- Always consult with panel manufacturer or design engineer to ensure proper clip recommendations