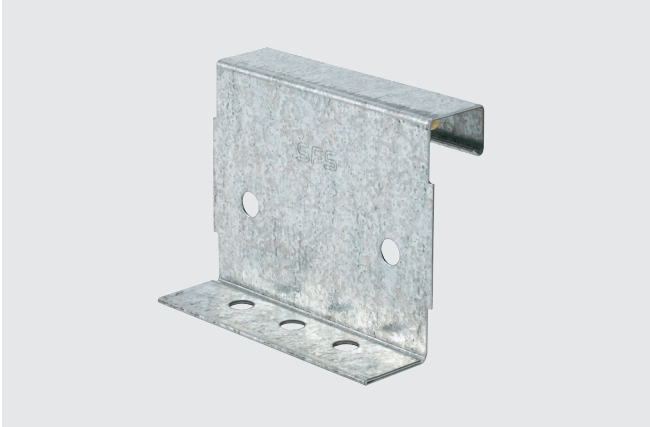


# 2-3/8" Fixed Engineered Panel Clip



### Application

Standing seam panel clips used for attachment of mechanically seamed panel types securing a fixed connection point wherein there is minimal differential movement of the roof panel

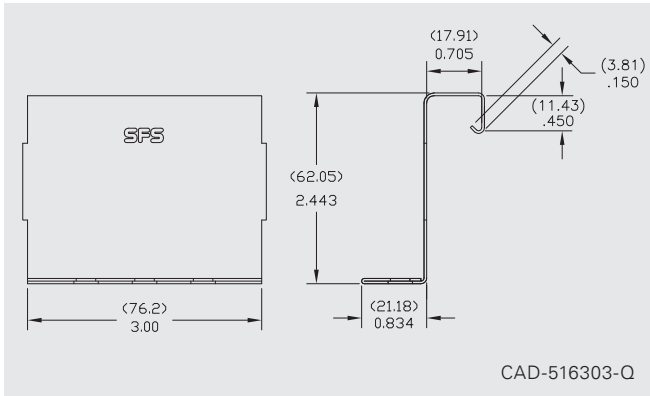
### Features and Benefits

- Manufactured from high quality, corrosion resistant steel meeting strict mechanical property requirements
- Tightly controlled manufacturing tolerances for a secure and functional fit every time
- Allows only a very limited amount of thermal movement. Always follow the standing seam panel manufacturer's details and instructions on proper use, location and performance values of fixed clips when used with their respective panel

### Product Selection

Material No.	Item	Description	Carton Wt. (lbs.)	Carton Qty.
729720*	2-3/8" Fixed clip	22 ga. (0.8 mm) G-90 Galvanized	33	250

\*Sealant applied.



### Specifications

Height: 2.443" (62.05 mm)  
 Width: 3.00" (76.20 mm)  
 Holes: 3-hole

### Installation and Application Considerations

- Compatible with:
  - Englert S2500
  - New Tech SS210
  - Ultra Seam US-200
  - Zimmerman SS2000
  - New Tech SS200
  - Roll Former Corp. 23C
  - Ultra Seam US-200C
- Refer to SFS standing seam fastener offering for panel clip attachment options
- Always consult with panel manufacturer or design engineer to ensure proper clip recommendations