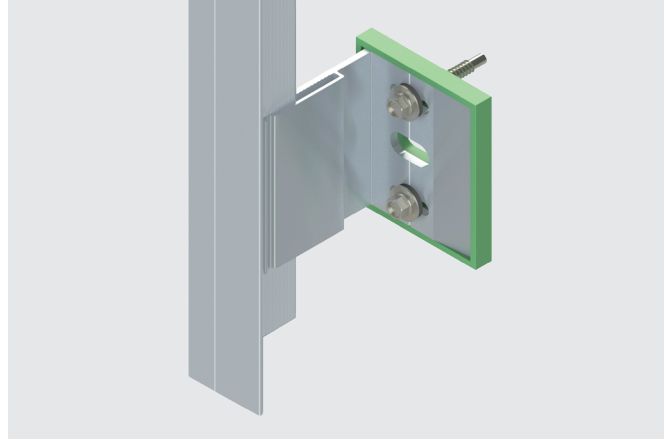
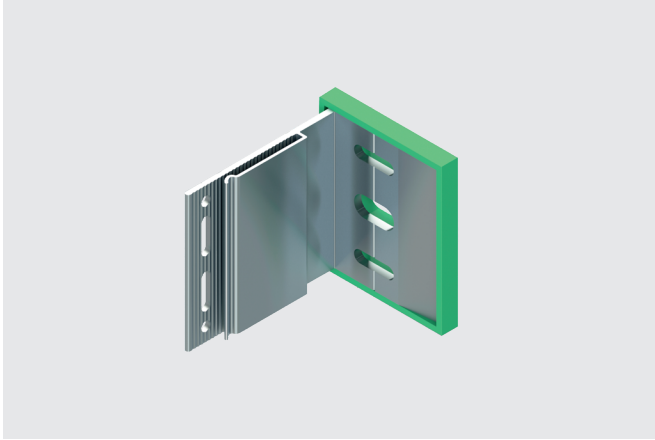


# NVELOPE™ Single Universal Bracket



## Features and Benefits

- Bracket design allows for rail retainment without additional tools
- Up to 1-½" adjustment range eliminates the need for shims
- Corrosion resistant and 100% recyclable
- Fastener guide marks and integrated thermal isolator to aid in constructability
- Up to a quarter inch of thermal movement
- Engineered to meet thermal code requirements

## Application

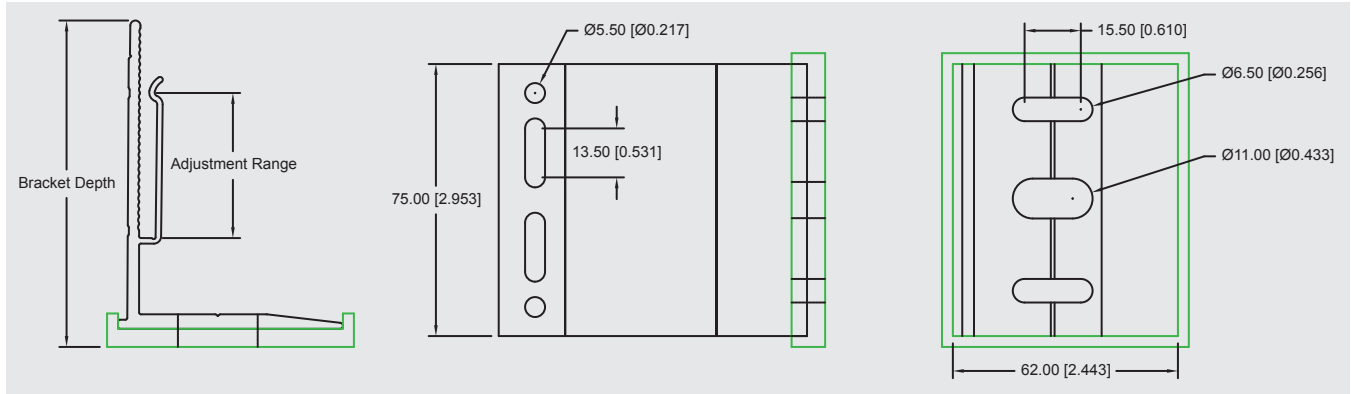
- Creates a cavity between the architectural cladding and the building for the inclusion of exterior insulation
- Installs directly onto a variety of substrates including steel, wood, concrete and CMU
- Brackets are a component of the NV1 thermally broken subframe system which is used to attach architectural cladding materials utilizing vertically oriented extrusions

## Product Selection

Material No.	Bracket Depth (mm)	Cavity Range				Product Code	Carton Wt. (lbs)	Carton Qty.
		Minimum		Maximum				
		(mm)	(in)	(mm)	(in)			
1582505	40	47	1.85	67	2.64	NV-VB40S	20	150
1582506	60	62	2.44	102	4.01	NV-VB60S	33	150
1582508	90	92	3.62	132	5.19	NV-VB90S	35	120
1582509	120	122	4.80	162	6.37	NV-VB120S	36	80
1582510	150	152	5.96	192	7.56	NV-VB150S	34	70
1582511	180	182	7.16	222	8.74	NV-VB180S	33	60
1582512	210	212	8.35	252	9.92	NV-VB210S	31	50
1582514	240	242	9.52	282	11.10	NV-VB240S	35	50
1582517	270	272	10.70	302	12.28	NV-VB270S	33	40
1582520	300	302	11.89	342	13.46	NV-VB300S	34	40



# NVELOPE™ Single Universal Bracket



## Product Specifications

Bracket Material: 6005A-T6 aluminum  
 Isolator Material: Polypropylene  
 Isolator Thickness: 5mm

## Performance Data<sup>1,2,3</sup>

### Bracket Material Strength

Young's Modulus	10,100 ksi / 70 Gpa
Tensile Strength	38 ksi / 260 Mpa
Shear Strength	24 ksi / 165 Mpa
Tensile Yield	35 ksi / 240 Mpa

### Material Thermal Transmittance

Bracket Conductivity:	1339 Btu-in/ft <sup>2</sup> -hr-°F (193 W/m-K)
Isolator Conductivity:	0.81 Btu-in/ft <sup>2</sup> -hr-°F (0.117 W/m-K)

<sup>1</sup> Inward Horizontal: SFS 1646 / R3

<sup>2</sup> Outward Horizontal: SFS 5900.21

<sup>3</sup> Vertical: SFS 5901.21

### Bracket Structural Values

Bracket Size	Vertical Load	Inward Horizontal Load	Outward Horizontal Load
40	542 lbf / 2.41 KN	1344 lbf / 5.98 KN	579 lbf / 2.58 KN
60	436 lbf / 1.94 KN	970 lbf / 4.31 KN	781 lbf / 3.48 KN
90	362 lbf / 1.61 KN	727 lbf / 3.23 KN	983 lbf / 4.37 KN
120	197 lbf / 0.88 KN	1080 lbf / 4.80 KN	1174 lbf / 5.22 KN
150	173 lbf / 0.77 KN	661 lbf / 2.94 KN	
180	149 lbf / 0.66 KN	544 lbf / 2.42 KN	
210	125 lbf / 0.56 KN	317 lbf / 1.41 KN	
240	101 lbf / 0.45 KN	295 lbf / 1.31 KN	
270	77 lbf / 0.34 KN	286 lbf / 1.27 KN	
300	53 lbf / 0.24 KN	242 lbf / 1.07 KN	

US  
T 800 234 4533  
us.sfs.com

Canada  
T 866 847 5400  
ca.sfs.com

Imperial values are approximate conversions.

All information is non-binding and without guarantee. Before using the products, all specifications and calculations must be checked by a suitably qualified person and local regulations must be observed. This document is subject to revision. We reserve the right to make technical changes. (02/2023, V1.02)